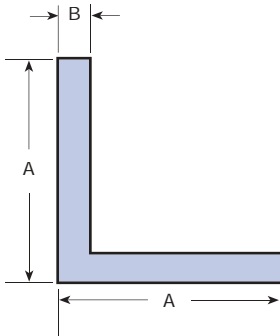


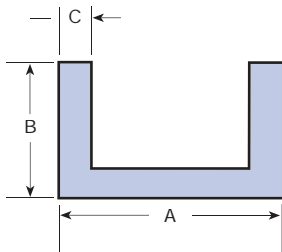
CONVEYOR COMPONENTS PROFILES

Teflon® Angles



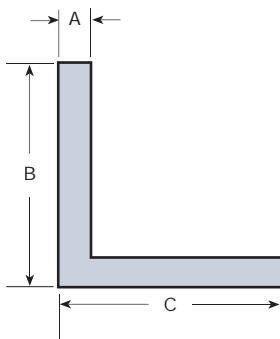
P/N	A ±.050	B ±.015
TSE-611-TFE	1/2	1/16
TSE-612-TFE	1	1/8
TSE-613-TFE	1 1/2	1/4
TSE-614-TFE	2	1/4
TSE-619-TFE	1	1/4

Teflon® U - Shape



P/N	A	B	C ±.015
TSE-615-TFE	1/2	19/32	1/16
TSE-616-TFE	1 1/4	47/64	1/8
TSE-617-TFE	1 7/8	25/32	9/64
TSE-618-TFE	2 1/2	2 1/4	3/16

UHMW Angles



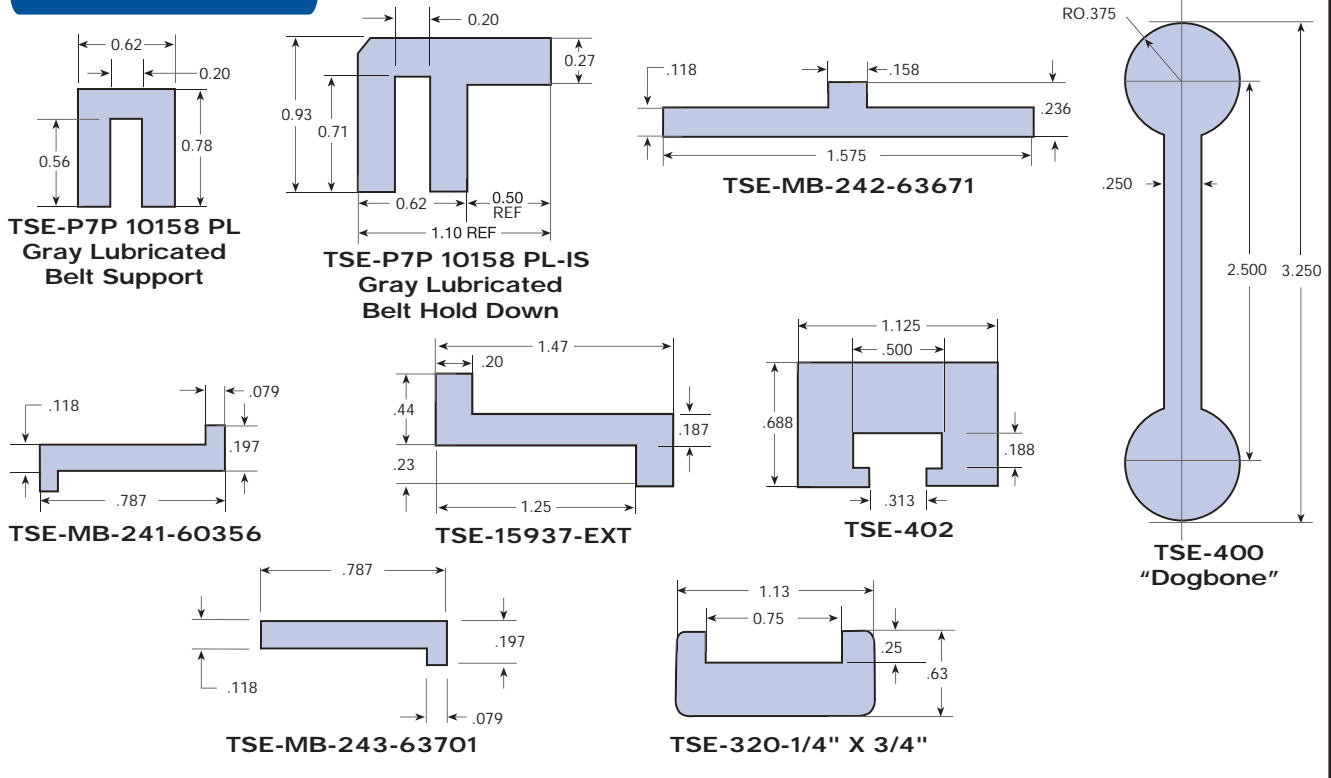
Size	A	B	C
437	1/8	1	1
479	1/8	2	2
468	1/4	1	1
469	1/4	1 1/4	1 1/4
470	1/4	1 1/2	1 1/2
471	1/4	2	2
480	1/2	1 1/2	1 1/2
478	1/2	2	2
481	1/2	2	6
472	1/2	3	3
475	1/2	3 1/2	3 1/2
474	3/4	3	3

Custom Sizes Available
UHMW Natural 120" Lengths

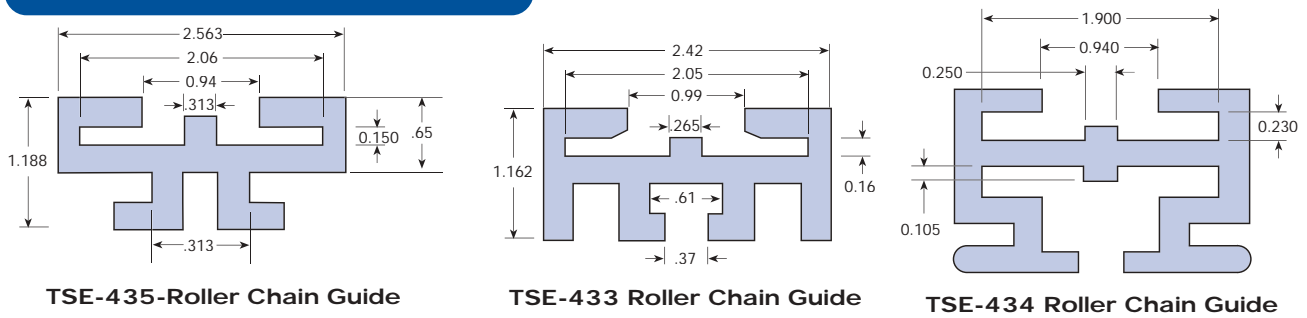
CONVEYOR COMPONENTS

MISCELLANEOUS UHMW PRODUCTS

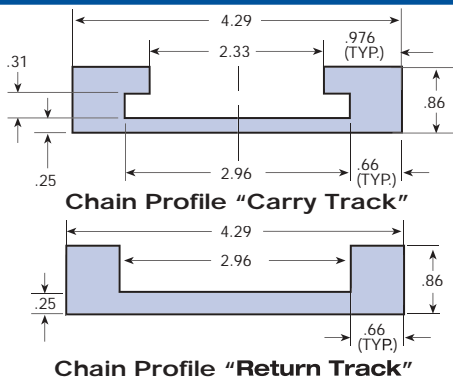
UHMW Profiles



UHMW Roller Chain Guides



Knuckle Chain Track 2" Pitch



Call Us For Your Custom Curve Requirements