

CONVEYOR COMPONENTS

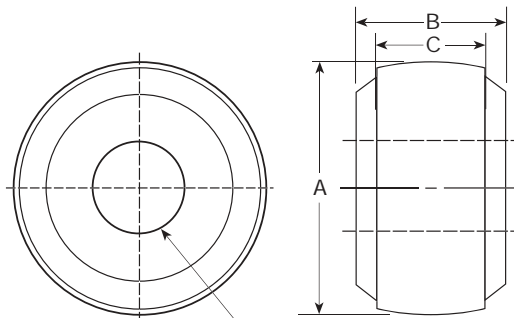
BEARING INSERTS & PILLOW BLOCKS

Custom High Temp or Heavy Duty Self-Aligning Cast Housing Bearing Inserts

TSE manufactures a line of Plane Bearing Inserts that are designed to fit in most standard cast metal housings. These inserts are designed to be self-aligning and are available in a variety of materials, including FDA and USDA compliant versions.

TSE Plane Bearing Inserts are also designed to fit most standard Pillow Block, Take-up, and Flange Housings.

Call us if you have any questions!



Shaft Dia.

Materials Available:

- UHMW
- Nylon
- Teflon®
- Acetal
- Enhanced Materials

Custom Bearing Order

A _____

B _____

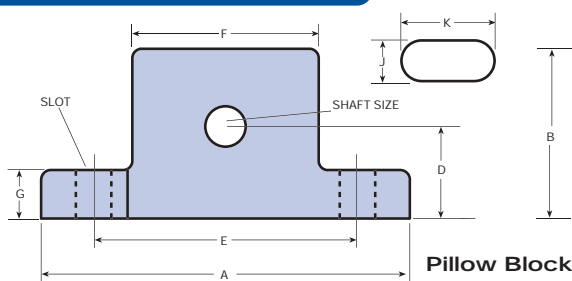
C _____

Shaft Size _____

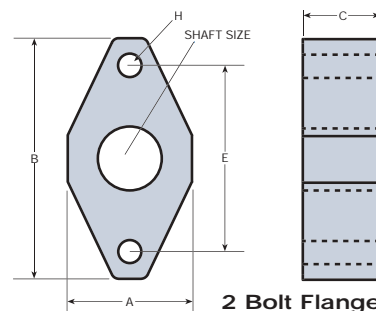
Material _____

Quantity _____

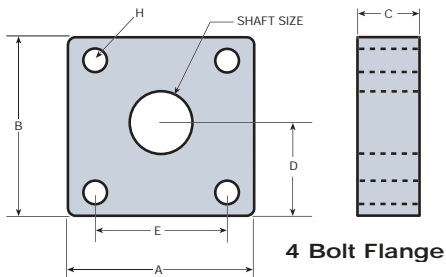
Custom Pillow Blocks



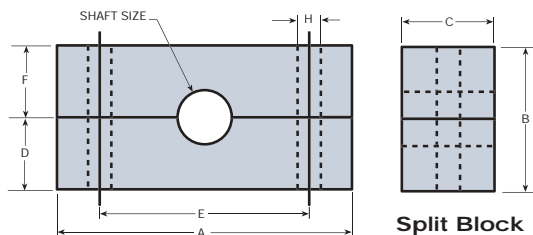
Pillow Block



2 Bolt Flange



4 Bolt Flange



Split Block

Shaft size _____

Style _____

Material _____

Quantity _____

Unless otherwise instructed all products will be made to industry standards.

A _____ B _____ C _____ D _____ E _____

F _____ G _____ H _____ J _____ K _____