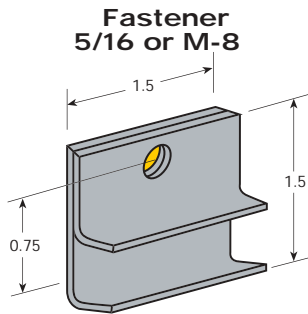


CONVEYOR COMPONENTS

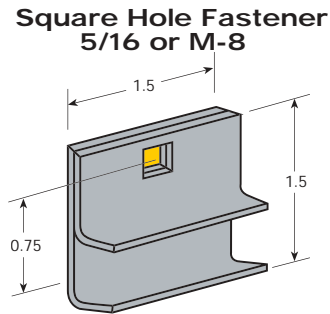
GUIDE RAIL CLAMPS • SPLICE SLEEVES • CROSS BLOCK HEAVY DUTY

Single & Double Guide Rail Clamps Stainless Steel



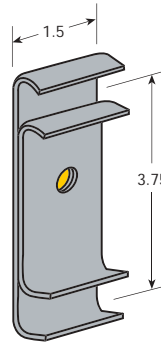
Fastener
5/16 or M-8

P-MB-215-65976

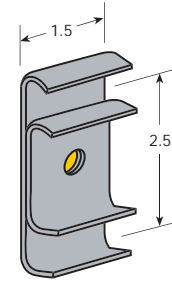


Square Hole Fastener
5/16 or M-8

P-MB-215-SQ

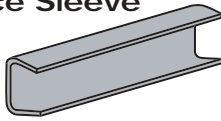


P-MB-217-37500
3/8 or M-10 Fastener

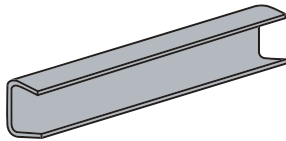


P-MB-217-60141
3/8 or M-10 Fastener

Splice Sleeve



P-MB-214-2 (2")



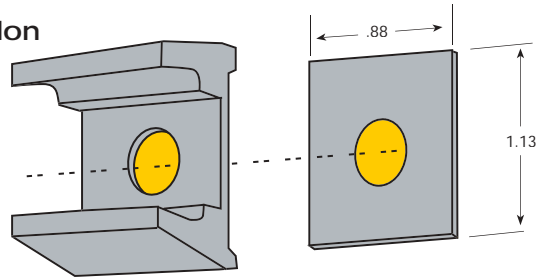
P-MB-214-4 (4")

Compression Clip

Material: Aluminum or Anodized Aluminum & Nylon

Backing plates required for use with adjusting rods.

Part No.	Aluminum	Anodized	Nylon	Fastner
P-MB-275-AL2	•			5/16
P-MB-275-ANOAL2		•		5/16
P-MB-275-664151			•	5/16



P-MB-275-AL2
P-MB-275-ANOAL2

P-MB-275-BP
Backing Plate
Stainless Steel

Quick Release Cross Block Heavy Duty With Knobs



P/N	Shaft Diameter
MB-521-12 x 12	1/2" x 1/2"
MB-521-12 x 58	1/2" x 5/8"
MB-521-58 x 58	5/8" x 5/8"

Material:

(Body) Reinforced Polyamide (Nylon), hardware in Stainless Steel 304.
(Knobs) in Polyamide with brass bushing.

Adjusting rods can be quickly adjusted by loosening and tightening the hand knobs.

*Adjusting rods sold separately.