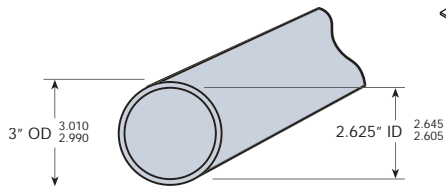


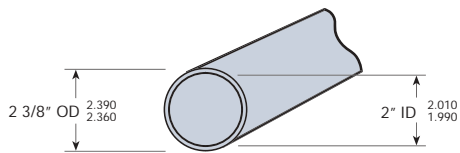
CONVEYOR COMPONENTS ACCESSORIES

UHMW Power Conveyor Roller Sleeves

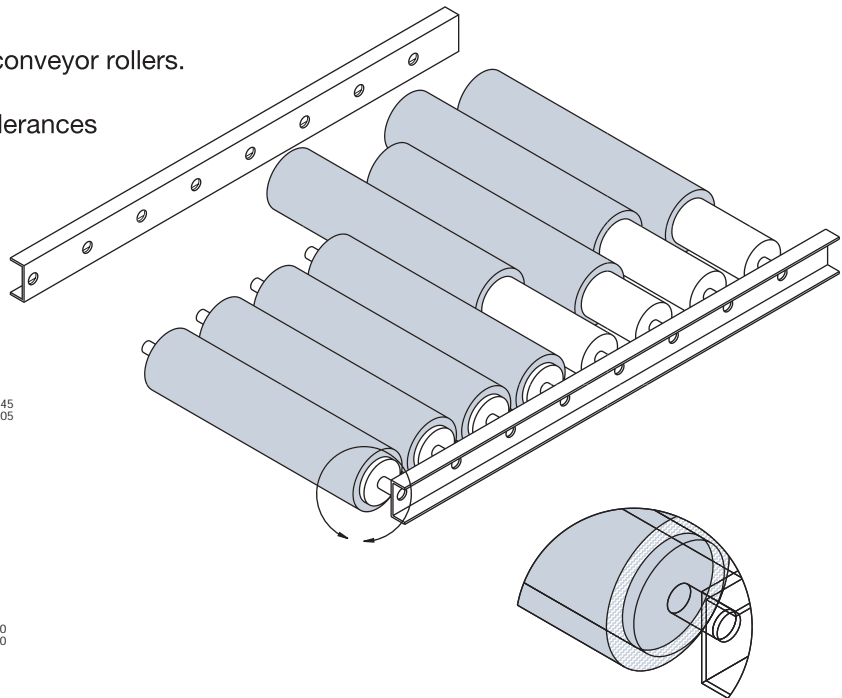
- Available in 120" lengths
- Slip fit UHMW covers for power conveyor rollers.
- Black reprocessed UHMW
- Extruded shape for consistent tolerances



For 2.5" Rollers



For 1.9" Rollers



UHMW sleeves, with their smooth surface finish, allow accumulation of product on power roller conveyors without damaging or marring conveyed products.

UHMW Black Repro - 10' Lengths

Conveyor sleeves are available to fit most roller sizes.
For a price quotation or more information call
TSE customer service representatives.

2 Standard Sizes

3" OD for 2 1/2" rollers

2 5/8" ID

2 3/8" OD for 1.9" rollers

2" ID

