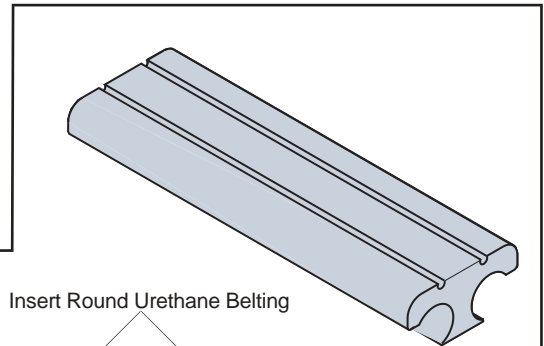


CONVEYOR COMPONENTS

SLAT DIVIDERS

TSE has developed a line of Slat Dividers for use in conveyor applications. TSE has also developed a proprietary Millathane® surface which enhances the grip capabilities of the slats. This tough, urethane based formulation is bonded to the UHMW for the ultimate in long term performance. We also offer a version of slats with machined grooves so round urethane belting can be inserted to enhance grip.

Call us today with your requirements and we will be happy to quote a style that meets your exact needs.



Slat Dividers

